

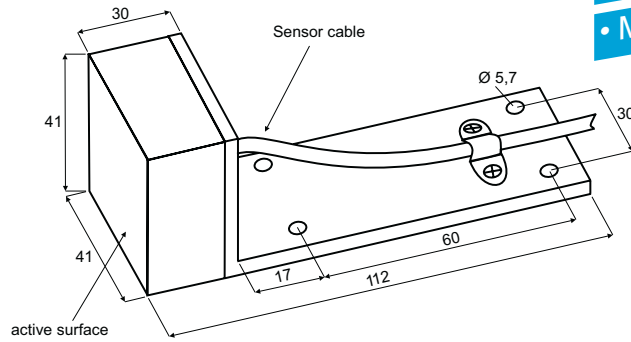
# Inductive Proximity Switch Mi250-BH



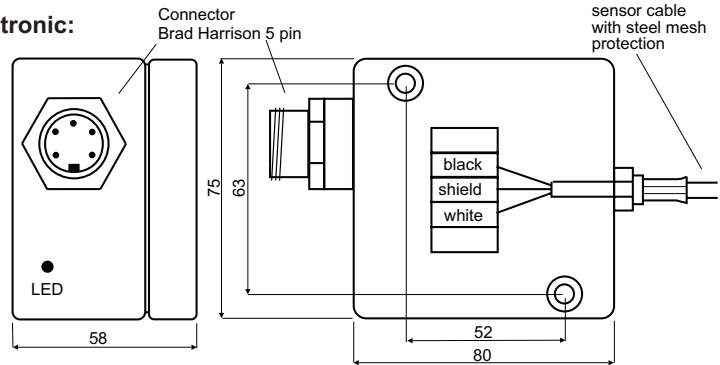
- Switching distance  
15, 20 or 25 mm
- Temperature range  
-15°C ... 230°C  
(short-time up to 250°C)
- Cable length up to 20 m

- Measuring
- Controlling
- Monitoring

## Sensor head:



## Electronic:



### Mounting of the sensor head:

The proximity switch can be attached to a metallic base with 4 screws at the fastening angle. The metallic base should be in line with the white teflon cover of the initiator.

### Minimum lateral distances:

Sensor to sensor:  
NJ 15: 30 mm; NJ 20: 30 mm; NJ 25: 50 mm

Sensor to metal:  
NJ 15: 15 mm; NJ 20: 30 mm; NJ 25: 50 mm

### Minimum distances of opposite sensors:

NJ 15: 45 mm; NJ 20: 90 mm; NJ 25: 120 mm

### Sensor cable:

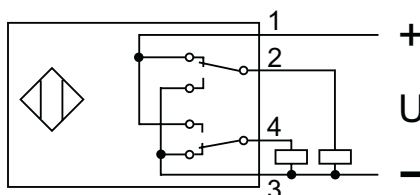
The cable can be disconnected for mounting purposes, the length of the delivered cable can not be changed!

The cable is delivered with external steel mesh protection. Since the inside material is teflon, no sharp bending or permanent pressing may be applied!

### Attention:

Sensor head and electronic module are co-ordinated, single parts may not be exchanged!

### Connections:



### Technical Data:

Switching distance *	NJ 15 = 15 - 16,5 mm NJ 20 = 20 - 22,5 mm NJ 25 = 24,5 - 26 mm
Work piece (St37)	min. 40x32 mm at NJ 15, 20 min. 60x60 mm at NJ 25
Supply voltage	12 ... 30V DC / 15 ... 50mA + Ia Ripple max. 3 V
Switching frequency	0 ... 60 Hz
Switching outputs	4: 24 V (NO) short-circuit proof 2: 24 V (NC)
Output current	Ia / 20°C = 100 mA Ia / 70°C = 50 mA
Pin assignment of connector	1: red: +24 V 3: orange: 0 V 4: black: switching output NO 2: white: switching output NC green: shield
LED	red, illuminated if initiated
Temperature range	Sensor: -15°C ... 230°C, (short-time up to 250°C) Electronic: 0°C ... 70°C
Protection class	Sensor: IP 60 Electronic: IP 64
Connector	Brad Harrison 5 pin (DW 41310)
Cable length	3, 7, 10 or 20 m (20 m only at switching distance up to 20 mm)
Weight	Sensor: 160 g Electronic: 360 g Sensor cable: 70 g/m

\* used sensor surface is 70%